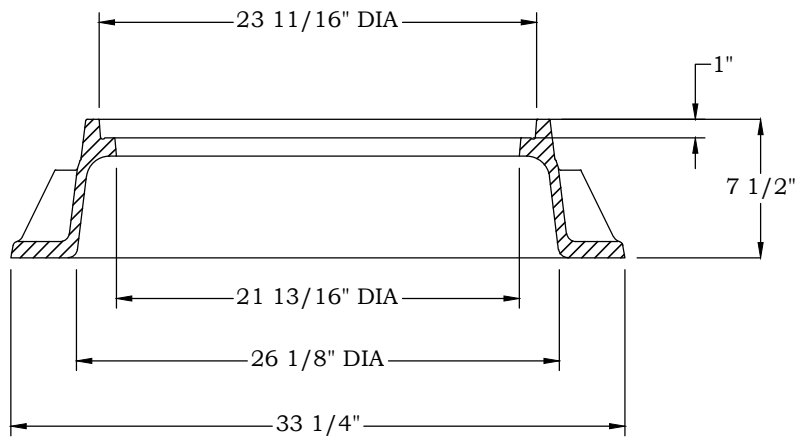


**COVER SECTION**



**FRAME SECTION**

USE EJ MODEL V1384 / V1384-1 ASSEMBLY OR APPROVED EQUAL

NO REVISION OR MODIFICATION OF THIS DETAIL SHALL BE MADE WITHOUT PRIOR WRITTEN APPROVAL FROM AUGUSTA UTILITIES DEPARTMENT.

REVISED: JANUARY 2018

**MANHOLE FRAME AND COVER  
ONSITE**

**AUD DETAIL 2.7.1**

**AUGUSTA UTILITIES DEPARTMENT  
452 WALKER STREET, SUITE 200  
AUGUSTA, GA 30901**

