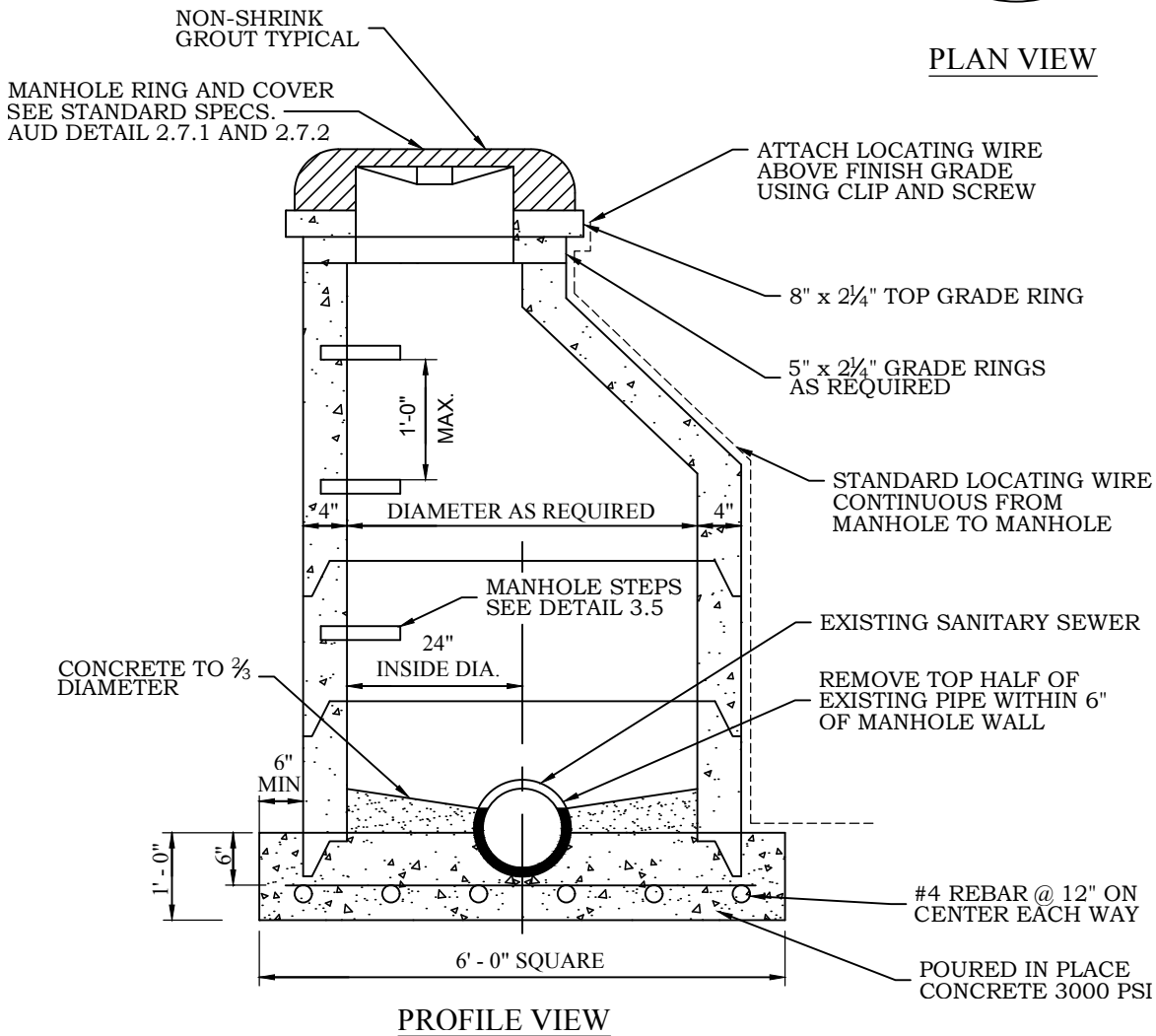


PLAN VIEW



PROFILE VIEW

NOTES:

1. MANHOLES WITH A DEPTH OF 5 VF OR LESS SHALL USE A 2'-0" CONCENTRIC CONE SECTION.
2. IF MANHOLE DEPTH EXCEEDS 20 VF WALL THICKNESS SHALL BE 6 INCHES.
3. CURVATURE OF INVERT TO HAVE LARGEST POSSIBLE RADIUS.
4. CONCRETE SHALL BE POURED TO THE SPRING LINE OF THE PIPE (PRECAST ONLY).
5. THE RING SHALL BE ANCHORED IN A MINIMUM OF 4 PLACES BY USE OF HITI ANCHORS OR APPROVED EQUAL.
6. REFERENCE AUD DETAIL 4.10 FOR CONCRETE FOR COLLAR VALVE AND MANHOLE ON SITE
7. NO MORE THAN 6" ADJUSTMENT BY RISERS ON RING AND COVER.

NO REVISION OR MODIFICATION OF THIS DETAIL SHALL BE MADE WITHOUT PRIOR WRITTEN APPROVAL FROM AUGUSTA UTILITIES DEPARTMENT.

REVISED: JANUARY 2018

DOGHOUSE MANHOLE

AUD DETAIL 2.5

AUGUSTA UTILITIES DEPARTMENT
452 WALKER STREET, SUITE 200
AUGUSTA, GA 30901

