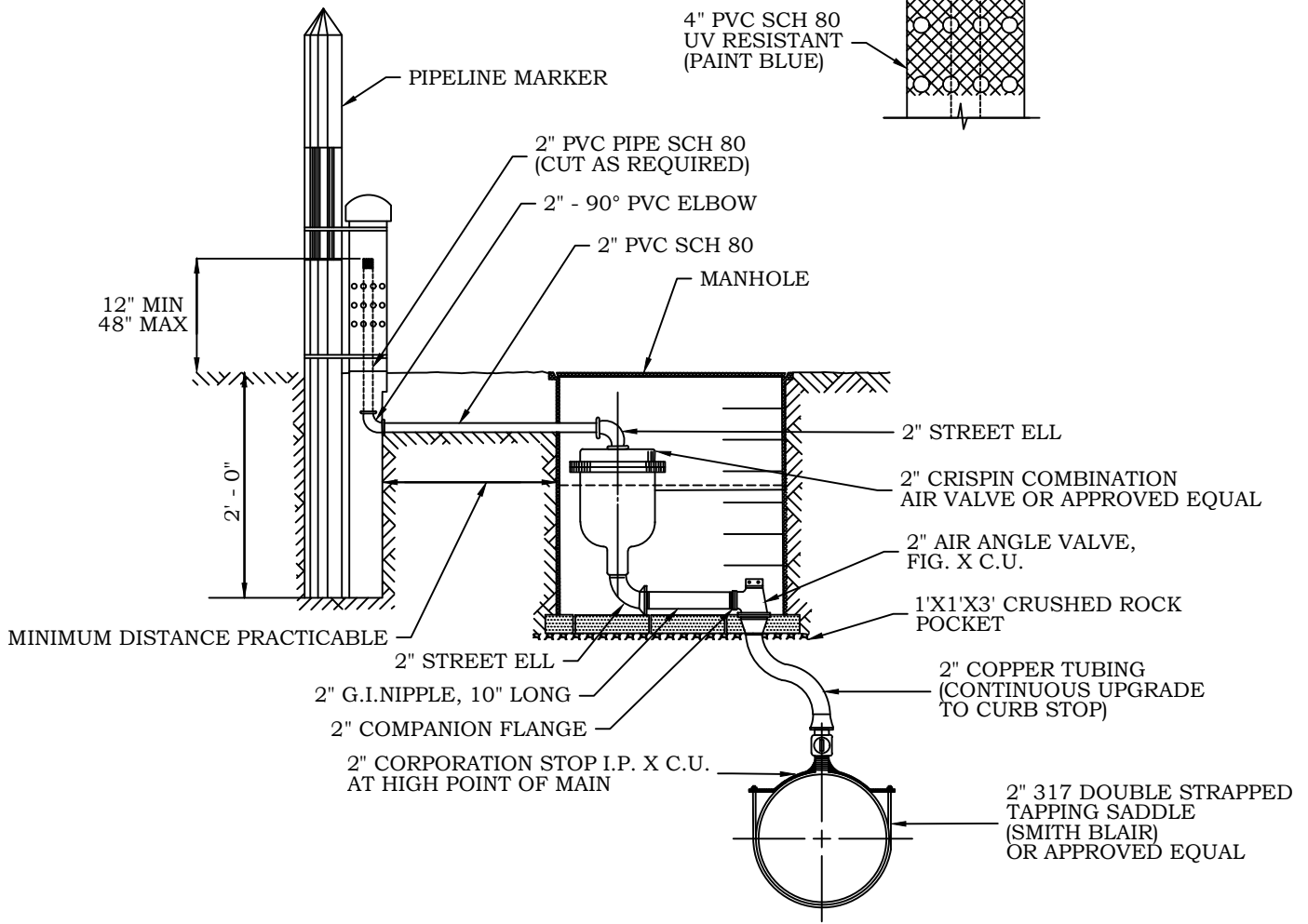
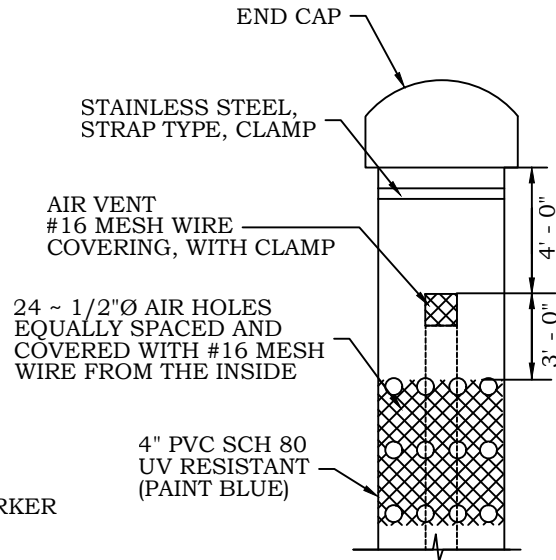


AERIAL VIEW



NOTE:

1. IN RURAL AREAS, RISER SHOULD BE AT PROPERTY LINE AND AT MAXIMUM HEIGHT.
2. INSTALL VALVE MARKER IN RURAL AREAS, BOLLARDS WHEN LOCATED NEAR ROADWAY.
3. MANHOLE, FRAME AND COVER & MANHOLE STEPS SEE AUD DETAILS 2.7.1, 2.7.2, AND 3.5.
4. ON SITE MANHOLE TO BE AT FINISHED GRADE. WHEN POSSIBLE OFFSITE MANHOLE TO BE 2' ABOVE GRADE.

NO REVISION OR MODIFICATION OF THIS DETAIL SHALL BE MADE WITHOUT PRIOR WRITTEN APPROVAL FROM AUGUSTA UTILITIES DEPARTMENT.

REVISED: JANUARY 2018

2" COMBINATION AIR VALVE

AUD DETAIL 1.6.2

**AUGUSTA UTILITIES DEPARTMENT
452 WALKER STREET, SUITE 200
AUGUSTA, GA 30901**

