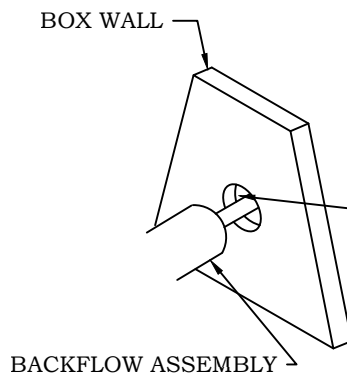
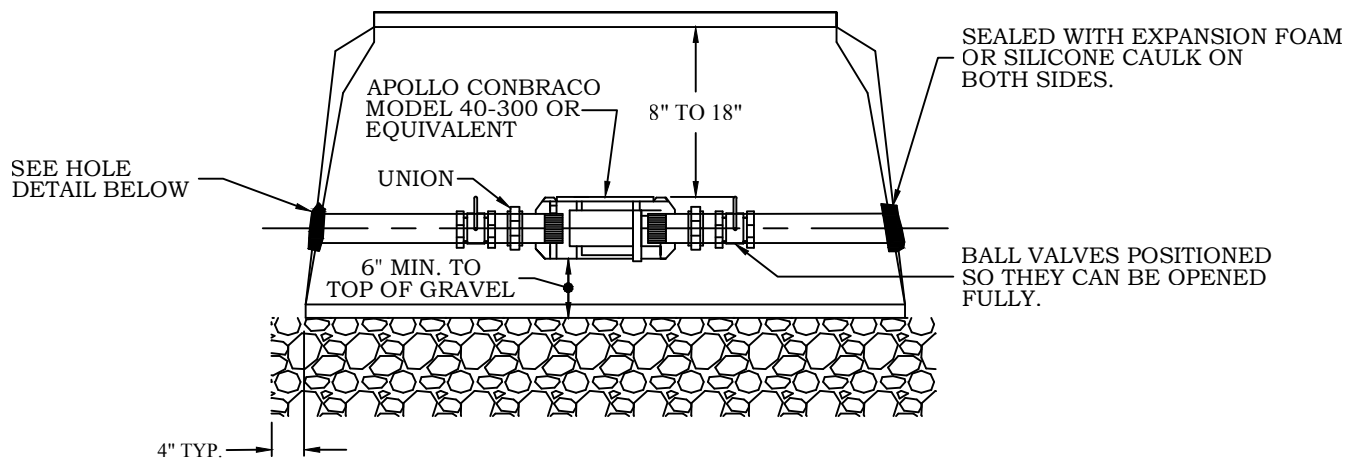


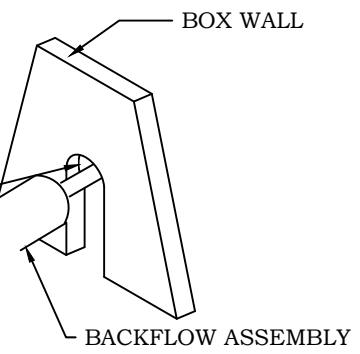
**CARSON INDUSTRIAL SERIES 1015 BOX WITH COVER**

(OR EQUIVALENT USED FOR ASSEMBLIES 1-1/4" AND SMALLER)



PIPE CUTOUT HOLES MUST BE LARGER THAN THE WATER LINE AND SEALED WITH EXPANSION FOAM OR SILICONE CAULK INSIDE AND OUTSIDE THE BOX TO PREVENT DIRT AND WATER FROM ENTERING THE BOX.

**HOLE DETAIL INSIDE VIEW**



NO REVISION OR MODIFICATION OF THIS DETAIL SHALL BE MADE WITHOUT PRIOR WRITTEN APPROVAL FROM AUGUSTA UTILITIES DEPARTMENT.

REVISED: JANUARY 2018

**RESIDENTIAL DUAL CHECK ASSEMBLY  
INSTALLATION DETAIL**

**AUD DETAIL 5.8**

**AUGUSTA UTILITIES DEPARTMENT  
452 WALKER STREET, SUITE 200  
AUGUSTA, GA 30901**

