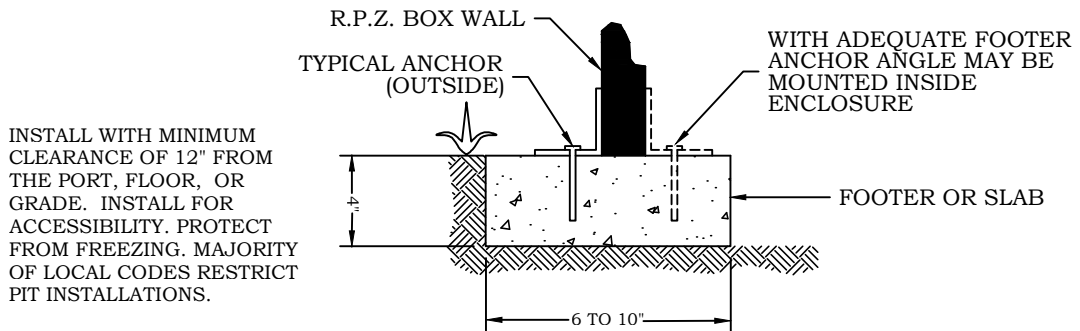


FOOTER (TYP.) ALTERNATIVE IS 4' X 6' CONCRETE FOOTER OF 4" THICK, FULL CONCRETE SLAB

R.P.Z. INSTALLATION DETAIL

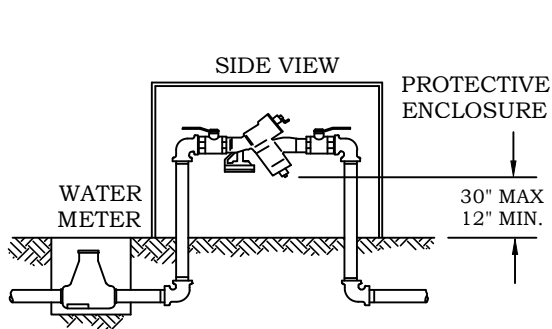
NOTE: BOX SHALL BE HEATED OR INSULATED TO PROTECT FROM FREEZING



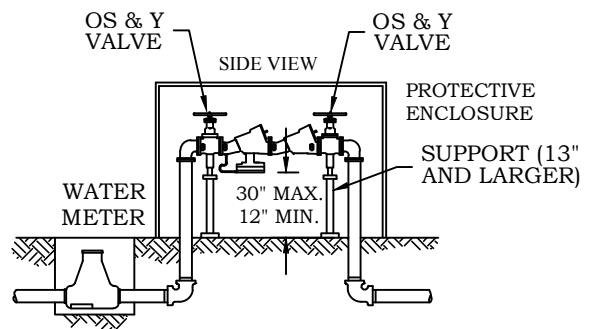
INSTALL WITH MINIMUM CLEARANCE OF 12" FROM THE PORT, FLOOR, OR GRADE. INSTALL FOR ACCESSIBILITY. PROTECT FROM FREEZING. MAJORITY OF LOCAL CODES RESTRICT PIT INSTALLATIONS.

FOOTER OR CONCRETE SLAB (R.P.Z. BOX)

NOTE: IF A PERIMETER FOOTER IS USED THEN THERE MUST BE GRAVEL COVERING THE ENTIRE BOTTOM OF THE ENCLOSURE A FULL TWELVE INCHES DEEP.



REDUCED PRESSURE BACKFLOW PREVENTER 3/4" THROUGH 2" OR DOUBLE CHECK VALVE ASSEMBLY



REDUCED PRESSURE BACKFLOW PREVENTER 3" THROUGH 10" OR DOUBLE CHECK VALVE ASSEMBLY

CAN ALSO BE USED FOR DOUBLE CHECK VALVE ASSEMBLY.

NO REVISION OR MODIFICATION OF THIS DETAIL SHALL BE MADE WITHOUT PRIOR WRITTEN APPROVAL FROM AUGUSTA UTILITIES DEPARTMENT.

REVISED: JANUARY 2018

**REDUCED PRESSURE ZONE (RPZ) ASSEMBLY**

**AUD DETAIL 5.5**

**AUGUSTA UTILITIES DEPARTMENT  
452 WALKER STREET, SUITE 200  
AUGUSTA, GA 30901**

