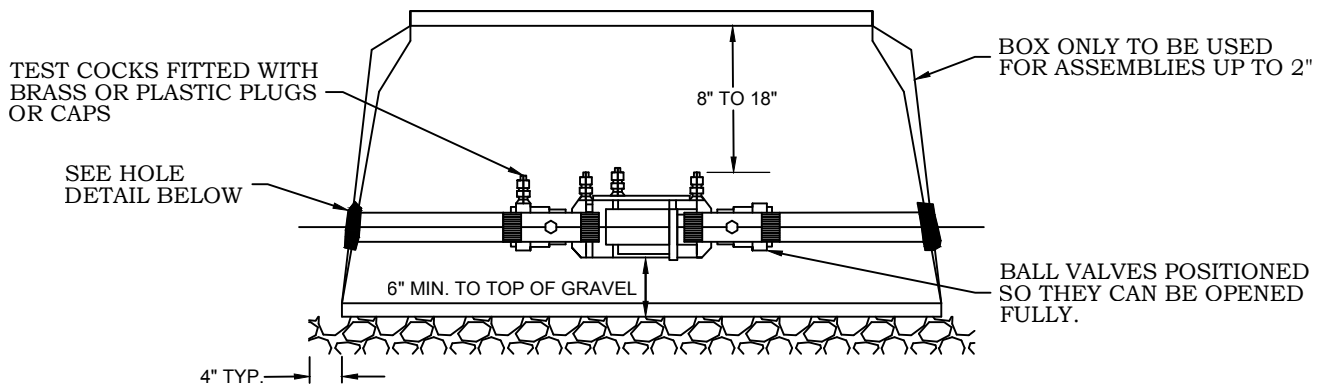
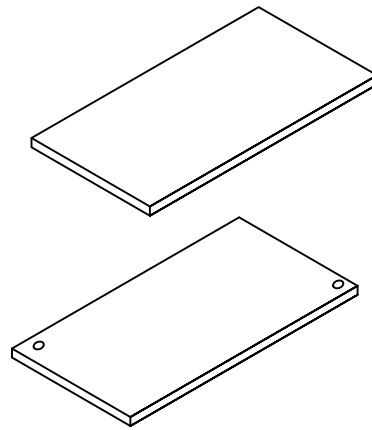
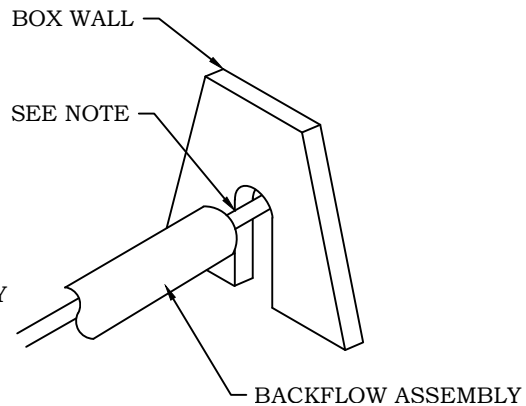
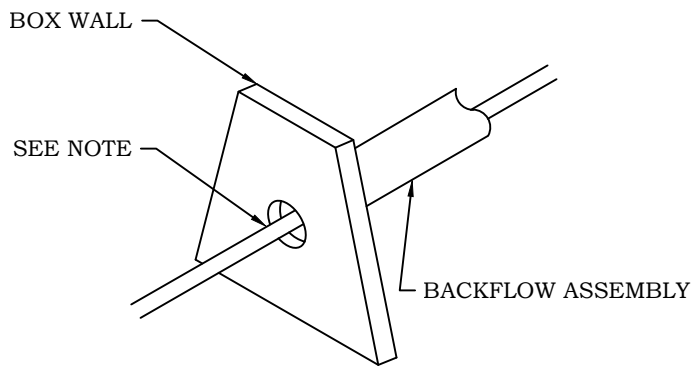


BOX TO BE CARSON INDUSTRIAL
SERIES 1730D WITH COVER OR
APPROVED EQUAL

PLAN VIEW



PROFILE VIEW



NOTE: PIPE CUTOUT HOLES MUST BE LARGER
THAN WATER LINE AND SEALED WITH EXPANSION
FOAM OR SILICONE CAULK INSIDE AND OUTSIDE
THE BOX TO PREVENT DIRT AND WATER FROM
ENTERING

HOLE DETAIL VIEW

NO REVISION OR MODIFICATION OF THIS DETAIL SHALL BE MADE WITHOUT
PRIOR WRITTEN APPROVAL FROM AUGUSTA UTILITIES DEPARTMENT.

REVISED: JANUARY 2018

**DOUBLE CHECK VALVE ASSEMBLY
BELOW GROUND (2" AND SMALLER)**

AUD DETAIL 5.2.1

**AUGUSTA UTILITIES DEPARTMENT
452 WALKER STREET, SUITE 200
AUGUSTA, GA 30901**

