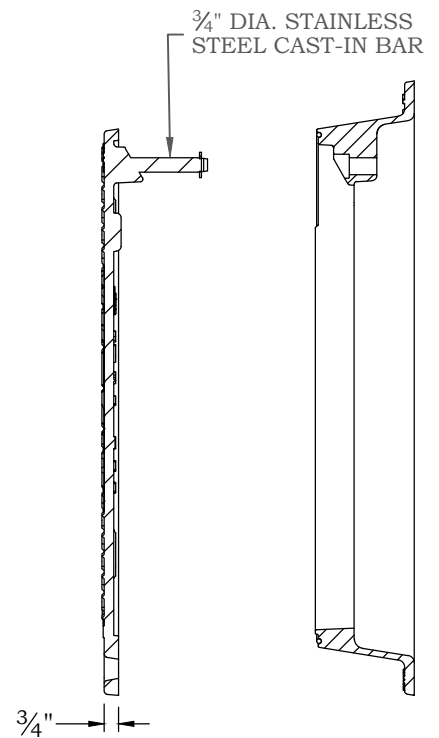
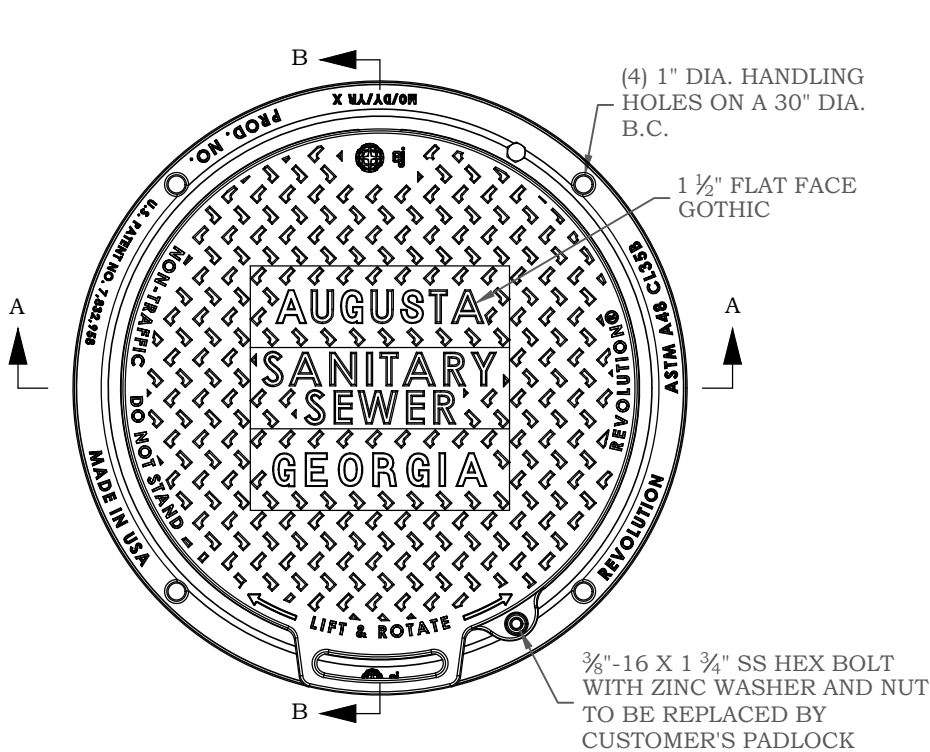
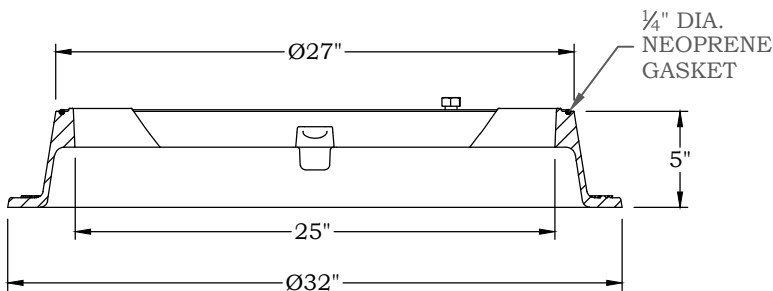
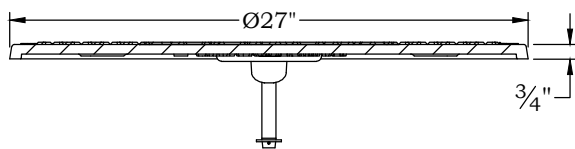


REVOLUTION ASSEMBLY
 EJ GROUP, INC.
 PRODUCT NUMBER 00104050R01



SECTION B-B



SECTION A-A

NOTE:
 MANHOLE FRAME AND COVER
 TO BE BOLTED TO MANHOLE
 PER MANUFACTURE'S
 RECOMMENDATIONS.

NO REVISION OR MODIFICATION OF THIS DETAIL SHALL BE MADE WITHOUT
 PRIOR WRITTEN APPROVAL FROM AUGUSTA UTILITIES DEPARTMENT.

APPROVED JAN. 2021

REVISED: JANUARY 2021

**MANHOLE FRAME AND COVER
 OFFSITE**

AUD DETAIL 2.8

**AUGUSTA UTILITIES DEPARTMENT
 452 WALKER STREET, SUITE 200
 AUGUSTA, GA 30901**

