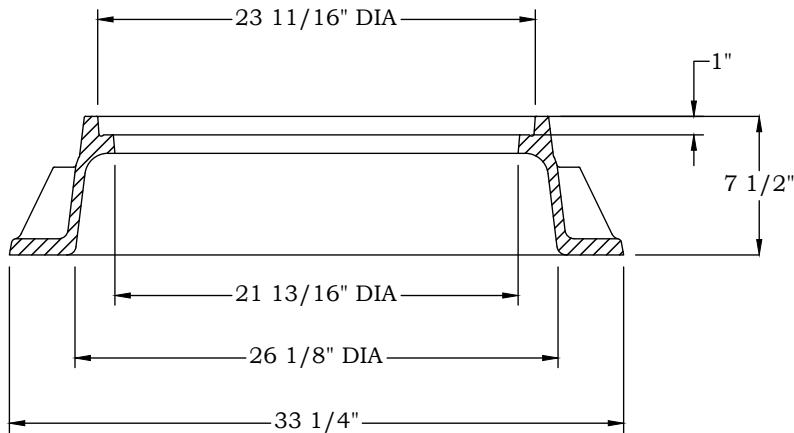


COVER SECTION

NOTE:
 MANHOLE FRAME AND COVER
 TO BE BOLTED TO MANHOLE
 PER MANUFACTURE'S
 RECOMMENDATIONS.



FRAME SECTION

USE EJ MODEL V1384 / V1384-1 ASSEMBLY OR APPROVED EQUAL

NO REVISION OR MODIFICATION OF THIS DETAIL SHALL BE MADE WITHOUT
 PRIOR WRITTEN APPROVAL FROM AUGUSTA UTILITIES DEPARTMENT.

APPROVED JAN. 2021

REVISED: JANUARY 2021

**MANHOLE FRAME AND COVER
 ONSITE**

AUD DETAIL 2.7

**AUGUSTA UTILITIES DEPARTMENT
 452 WALKER STREET, SUITE 200
 AUGUSTA, GA 30901**

