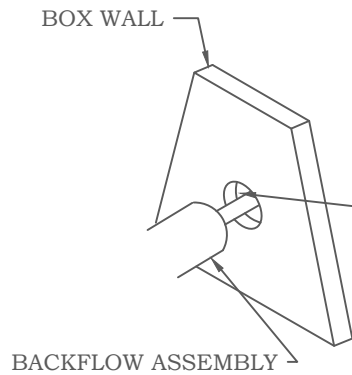
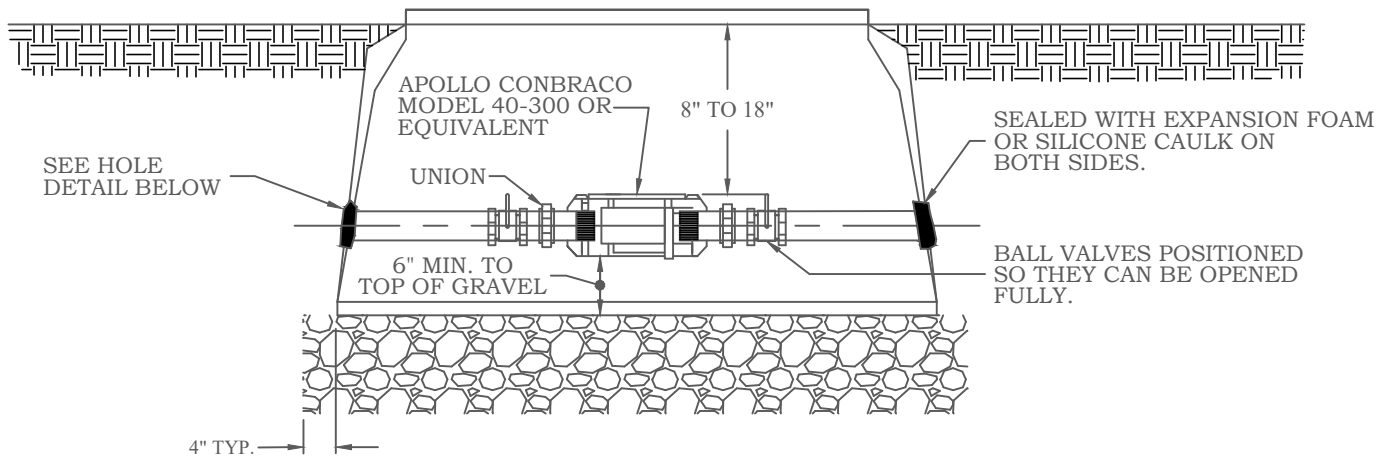


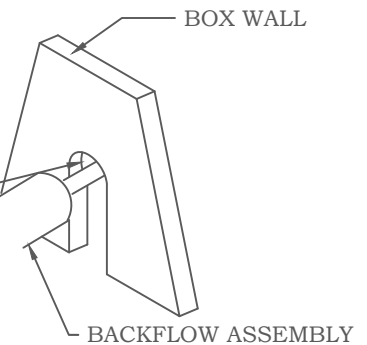
**CARSON INDUSTRIAL SERIES 1015 BOX WITH COVER**

(OR EQUIVALENT USED FOR ASSEMBLIES 1- $\frac{1}{4}$ " AND SMALLER)



PIPE CUTOUT HOLES MUST  
BE LARGER THAN THE WATER  
LINE AND SEALED WITH EXPANSION  
FOAM OR SILICONE CAULK  
INSIDE AND OUTSIDE THE BOX  
TO PREVENT DIRT AND WATER  
FROM ENTERING THE BOX.

**HOLE DETAIL INSIDE VIEW**



NO REVISION OR MODIFICATION OF THIS DETAIL SHALL BE MADE WITHOUT  
PRIOR WRITTEN APPROVAL FROM AUGUSTA UTILITIES DEPARTMENT.

**APPROVED JAN. 2021**

REVISED: JANUARY 2021

**RESIDENTIAL DUAL CHECK ASSEMBLY  
INSTALLATION DETAIL**

**AUD DETAIL 1.24**

**AUGUSTA UTILITIES DEPARTMENT  
452 WALKER STREET, SUITE 200  
AUGUSTA, GA 30901**

