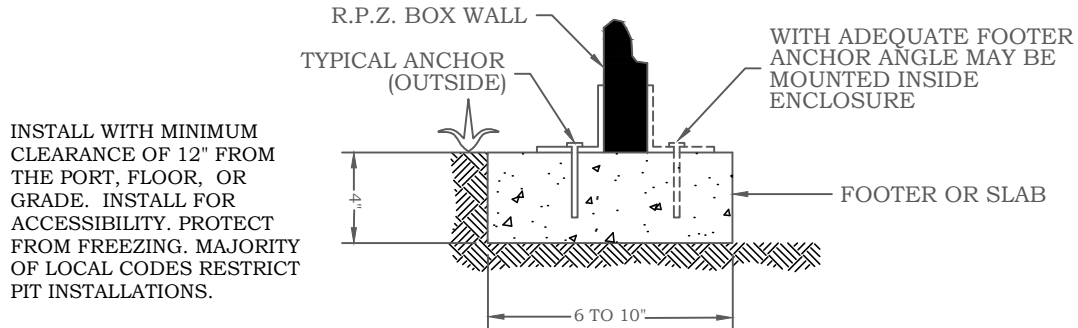


FOOTER (TYP.) ALTERNATIVE IS 4' X 6' CONCRETE FOOTER OF 4" THICK, FULL CONCRETE SLAB

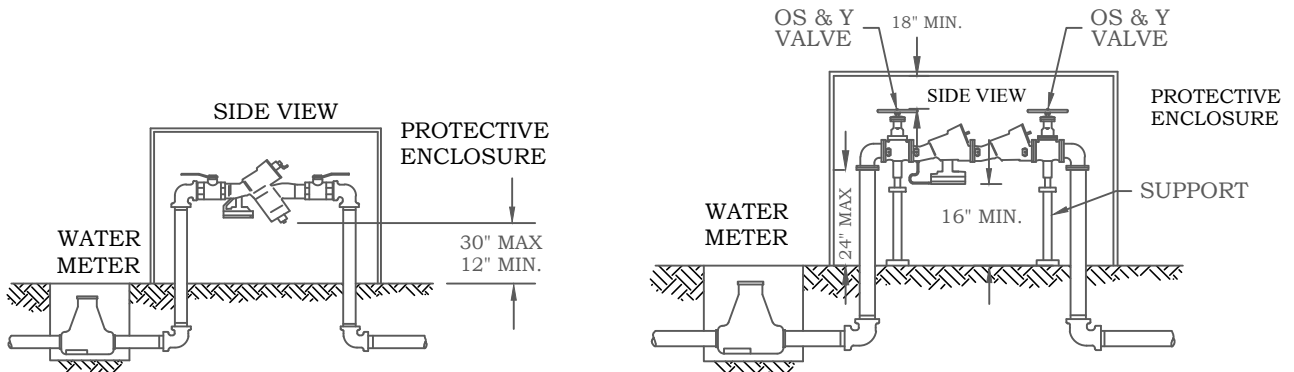
**R.P.Z. INSTALLATION DETAIL**

NOTE: BOX SHALL BE HEATED OR INSULATED TO PROTECT FROM FREEZING



**FOOTER OR CONCRETE SLAB (R.P.Z. BOX)**

NOTE: IF A PERIMETER FOOTER IS USED THEN THERE MUST BE GRAVEL COVERING THE ENTIRE BOTTOM OF THE ENCLOSURE A FULL TWELVE INCHES DEEP.



**REDUCED PRESSURE BACKFLOW PREVENTER 3/4" THROUGH 2" OR DOUBLE CHECK VALVE ASSEMBLY**

**REDUCED PRESSURE BACKFLOW PREVENTER 3" THROUGH 10" OR DOUBLE CHECK VALVE ASSEMBLY**

CAN ALSO BE USED FOR DOUBLE CHECK VALVE ASSEMBLY.

NOTE: ENSURE MINIMUM 18" DISTANCE FROM VALVE WHEEL TO TOP OF THE BOX.

NO REVISION OR MODIFICATION OF THIS DETAIL SHALL BE MADE WITHOUT PRIOR WRITTEN APPROVAL FROM AUGUSTA UTILITIES DEPARTMENT.

**APPROVED JAN. 2021**

REVISED: JANUARY 2021

**REDUCED PRESSURE ZONE (RPZ) ASSEMBLY**

**AUD DETAIL 1.21**

**AUGUSTA UTILITIES DEPARTMENT  
452 WALKER STREET, SUITE 200  
AUGUSTA, GA 30901**

