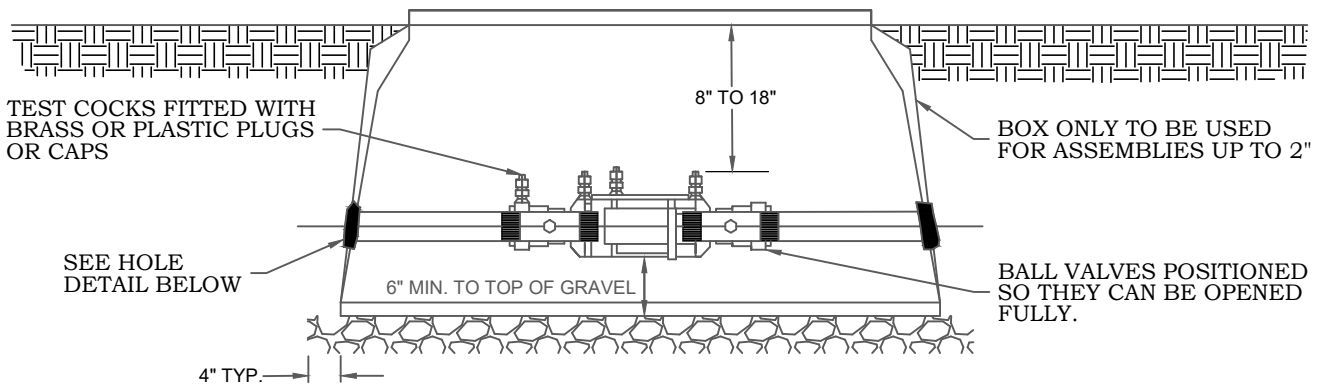
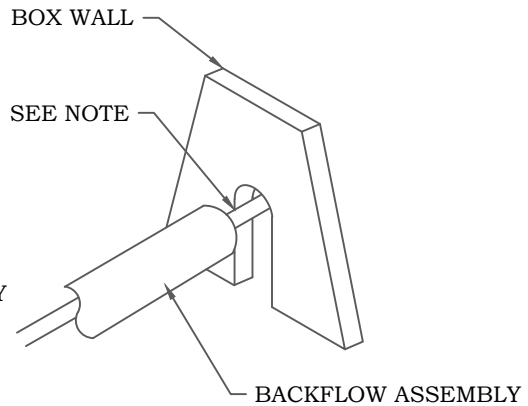
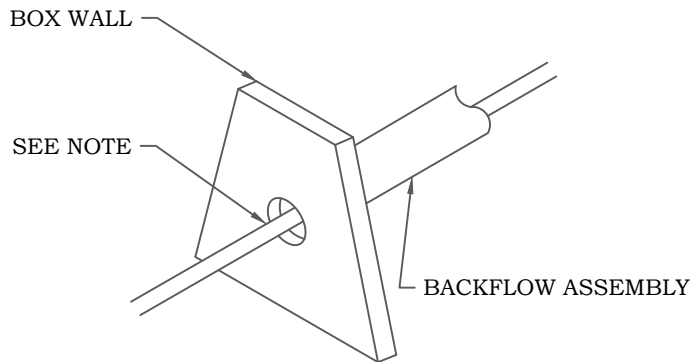


BOX TO BE CARSON INDUSTRIAL  
SERIES 1730D WITH COVER OR  
APPROVED EQUAL

PLAN VIEW



PROFILE VIEW



NOTE: PIPE CUTOUT HOLES MUST BE LARGER  
THAN WATER LINE AND SEALED WITH EXPANSION  
FOAM OR SILICONE CAULK INSIDE AND OUTSIDE  
THE BOX TO PREVENT DIRT AND WATER FROM  
ENTERING

HOLE DETAIL VIEW

NO REVISION OR MODIFICATION OF THIS DETAIL SHALL BE MADE WITHOUT  
PRIOR WRITTEN APPROVAL FROM AUGUSTA UTILITIES DEPARTMENT.

**APPROVED JAN. 2021**

REVISED: JANUARY 2021

**DOUBLE CHECK VALVE ASSEMBLY  
BELOW GROUND (2" AND SMALLER)**

**AUD DETAIL 1.17**

**AUGUSTA UTILITIES DEPARTMENT  
452 WALKER STREET, SUITE 200  
AUGUSTA, GA 30901**

