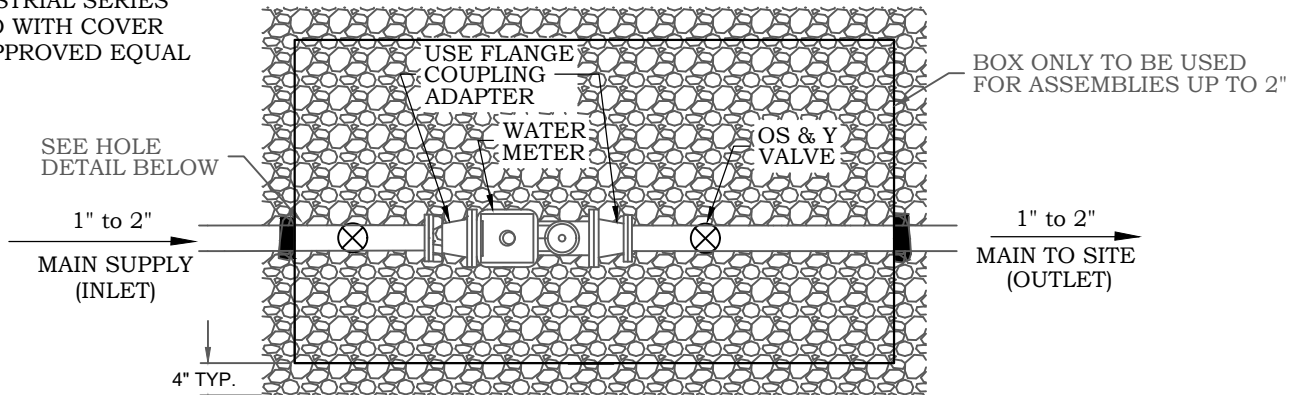
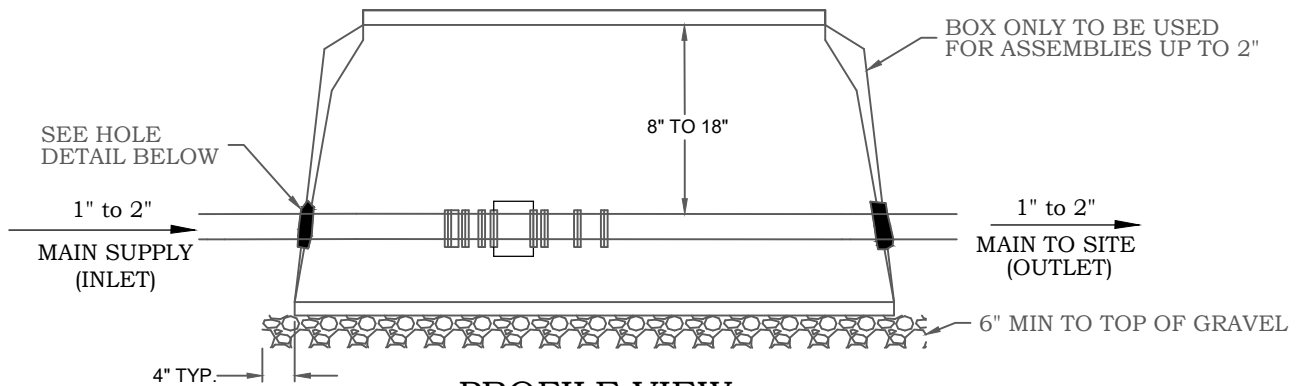


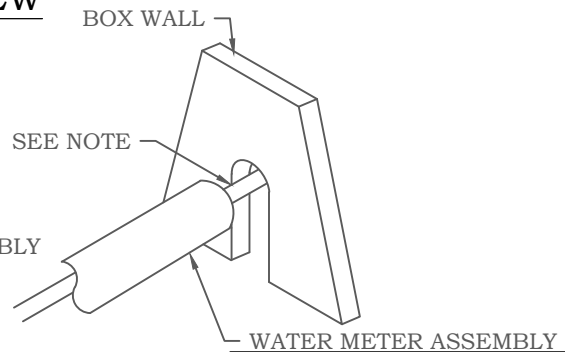
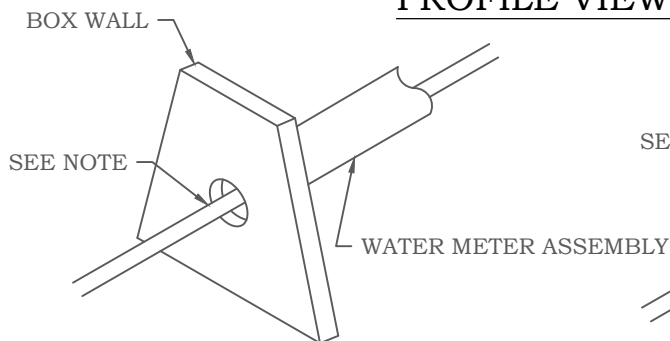
BOX TO BE CARSON INDUSTRIAL SERIES 1730D WITH COVER OR APPROVED EQUAL



PLAN VIEW



PROFILE VIEW



HOLE DETAIL VIEW

NOTE: PIPE CUTOUT HOLES MUST BE LARGER THAN WATER LINE AND SEALED WITH EXPANSION FOAM OR SILICONE CAULK INSIDE AND OUTSIDE THE BOX TO PREVENT DIRT AND WATER FROM ENTERING

APPROVED JAN. 2021
REVISED: JANUARY 2021

**WATER METER BELOW
GROUND ENCLOSURE**

AUD DETAIL 1.6

AUGUSTA UTILITIES DEPARTMENT
452 WALKER STREET, SUITE 200
AUGUSTA, GA 30901

